



S-1 Series Cutout

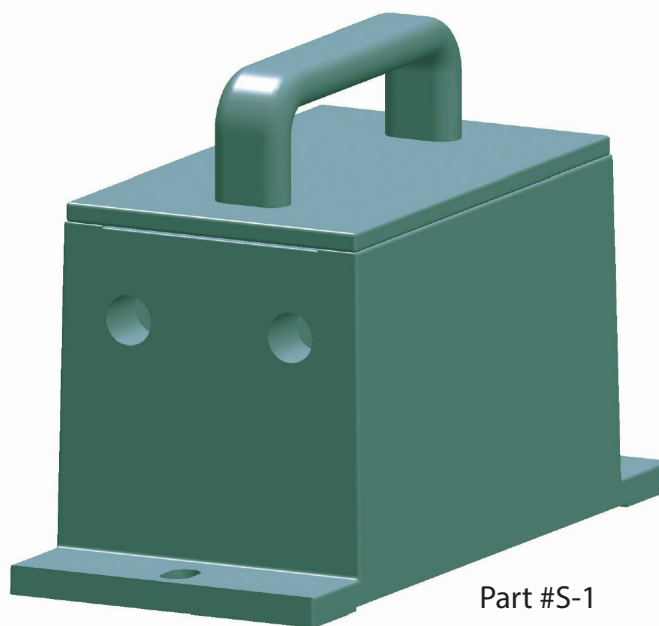
Complies with AC 150-5340-30 (Current Edition)

Installed to isolate the series circuit from the constant current regulator for maintenance or testing

Easy two position “handle in” and “handle out” to quickly determine cutout status

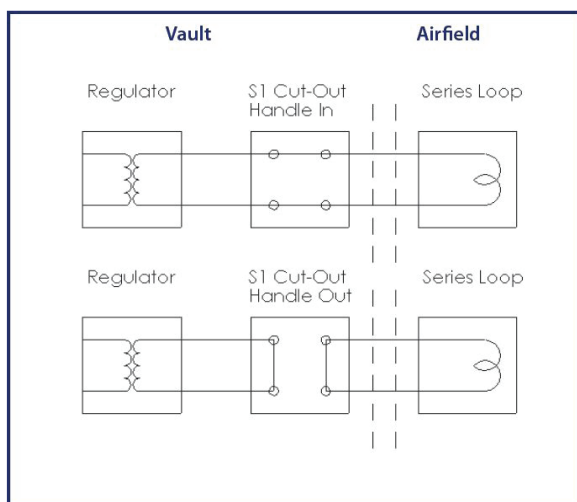
Highlights

- Isolates the series circuit from the constant current regulator
- Shorts regulator output for troubleshooting
- Suitable for 6.6 or 20 amp circuits
- Removable handle ensures series circuit is de-energized
- Handle is designed to fit inside a tool box to add a second level of security
- Housing fabricated from durable nonconductive materials



Part #S-1

Standard



Grounded

