

L-867 Base Plate

Certified to FAA AC 150/5345-46 (Current Edition)

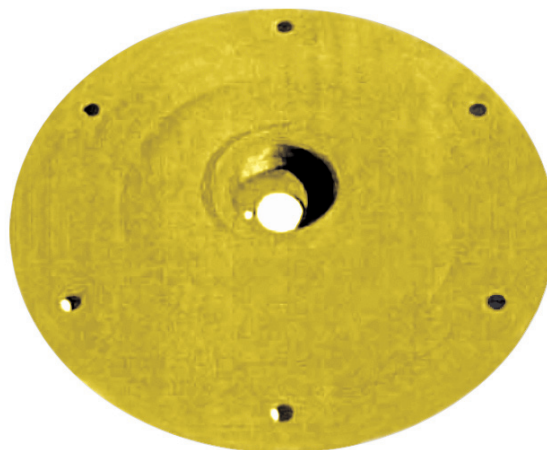
Size: B=12", D=16"

Durable, precision base plates that stand up to harsh conditions

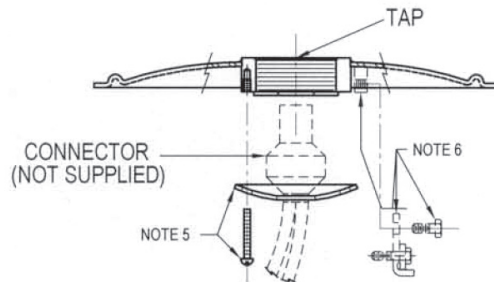


Highlights

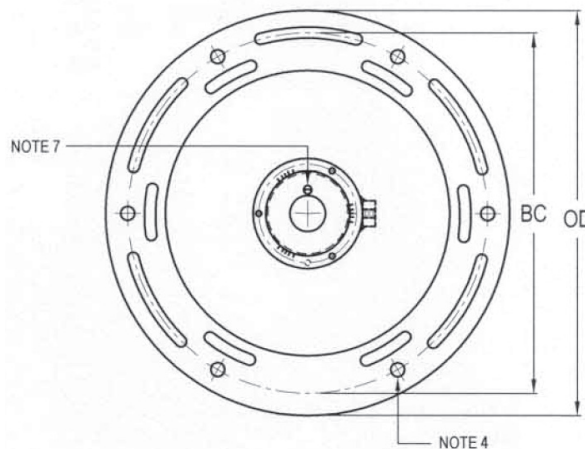
- Constructed of Corten A588 steel with aviation yellow powder coat finish
- Sturdy installation ensured with (6) 7/16" dia equally spaced, thru holes
- Base plate shipped with:
 - Neoprene gasket:
 - AP1932/1935 12" (10530297)
 - AP2932/2935 16" (10530281)
 - Foam gasket:
 - AP1932AK/AP1935AK 12" (10532042)
 - Hardware packup #6120 which contains:
 - (1) 3 hole cable clamp (8089)
 - (3) #10-24 x 1 1/2" SS machine screws (10670781)
- Optional: Ground clamp hardware (AW0919) bulk packed for field installation
- (1) 1/4" dia weep hole standard
Add "AK" suffix to P/N for base plate w/o weep hole (Alaskan application)



AP1932



TYPE	OD	BC	TAP
AP1932 _ _	12"	10.25"	2" NPS
12" L867B	[304.8]	[260.4]	[50.8]
AP1935 _ _	12"	10.25"	1 1/2"-12 NF
12" L867B	[304.8]	[260.4]	[38.1]
AP2932 _ _	16"	14.25"	2" NPS
16" L867D	[406.4]	[362]	[50.8]
AP2935 _ _	16"	14.25"	1 1/2"-12 NF
16" L867D	[406.4]	[362]	[38.1]



[] = dimensions in metrics; mm