



# L-801 HBM 150/2 Airport Rotating Beacon

**Compliant with Standards:**

FAA: L-801 AC 150/5345-12 (Current Edition)

ICAO: Annex 14, para 5.3.3

***This Hali-Brite beacon is designed for night operation as an identification and location marker for airports***

## Highlights

- Patented belt-drive system eliminates the lubrication required by conventional gear-drive beacons (U.S. Pat. 5,339,224)
- Patented liquid-filled lamp connector, eliminating the slip rings and brushes found on conventional beacons (U.S. Pat. 5,816,678)
- Two 13,000 lumen, 150 watt pulse-start metal-halide lamps
- 10,000 hour typical lamp life (2-3 years)
- One clear lens, one aviation green lens
- No maintenance except lamp replacement
- All moving parts are permanently lubricated
- Impedance-protected motor eliminates burnouts
- Lamps preset 5° above horizontal, adjustable
- 12 RPM rotation, 24 flashes/minute
- Weatherproof steel cabinet, powder coated international orange
- Class I temperature range: -30 to +55 °C (-22 to +131 °F)
- Class II temperature range: -55 to +55 °C (-67 to +131 °F)
- Tested to wind velocities of 100 mph
- Optional photocell and/or tell-tale relay
- Mountable on a Hali-Brite Tipdown Pole
- Power Consumption: 395W Class I, 795W Class II
- Manufactured in the USA



Beacon Tipdown Pole

## Ordering Information

Part Number	Description
L-801A1116	120 VAC, 60 Hz, Class I
L-801A1125	220-240 VAC, 50 Hz, Class I
L-801A1126	220-240 VAC, 60 Hz, Class I
L-801A1216	120 VAC, 60 Hz, Class II
L-801A1225	220-240 VAC, 50 Hz, Class II
L-801A1226	220-240 VAC, 60 Hz, Class II

NOTE: 220-240 VAC must be single wire with neutral

## Options

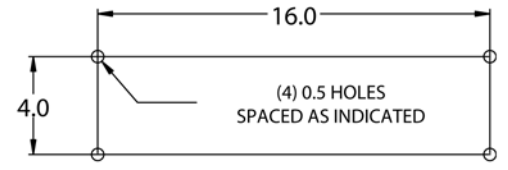
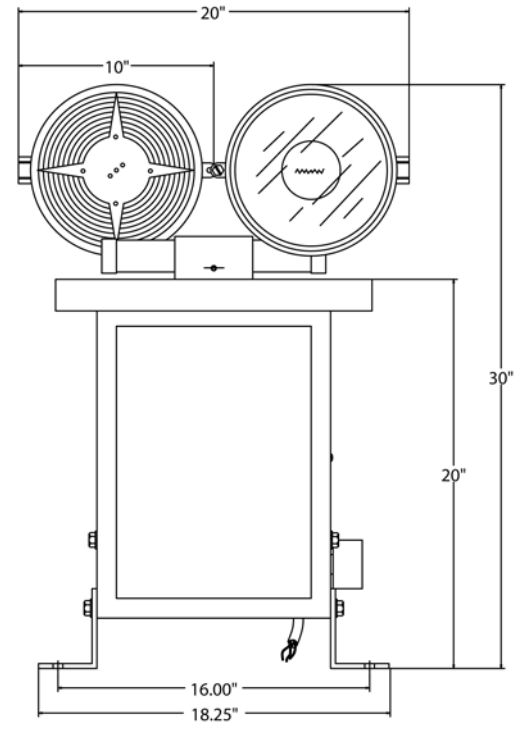
Part Number	Description
L-801/802 T/T HBM 120	Tell-tale Relay, 120 VAC
L-801/802 T/T HBM 240	Tell-tale Relay, 220-240 VAC
4200-0000	Tower Mounting Kit

## Replacement Parts

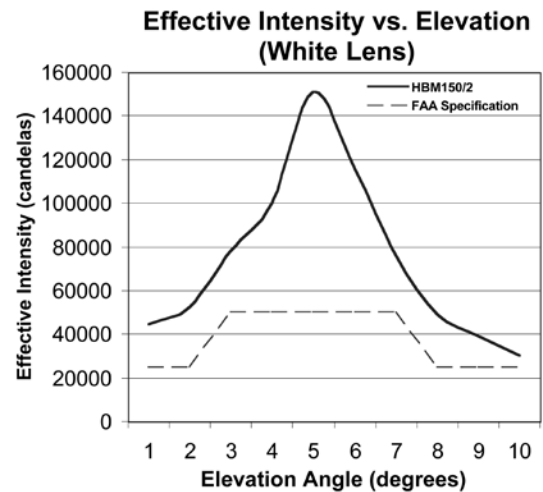
Part Number	Description
0200-0024	Ballast Assy 50 Hz
0200-0023	Ballast Assy 60 Hz
0600-0003	Belt
2300-0002	Motor Fuse, 1/2 amp
2300-0010	Lamp Fuse, 6.25 amp
3400-0125B	Lamp, 150 watt pulse-start
2800-0006	Lens, Clear
2800-0043	Lens, Green
2800-0025	Lens, Amber
1500-0011	Lens Clip

## Shipping Information

Unpacked Weight: 75 pounds  
 USA Shipping Weight: 110 pounds  
 USA Shipping Volume: 48" x 25" x 25"  
 International Shipping Weight: 110 pounds  
 International Shipping Volume: 40" x 25" x 25"



Mounting Bolt Pattern



# L-802A HBM 400PS Airport Rotating Beacon

Compliant with Standards:  
 FAA: L-802A AC 150/5345-12 (Current Edition)  
 ICAO: Annex 14, para 5.3.3



*This Hali-Brite beacon is designed for night operation as an identification and location marker for airports*

## Highlights

- Patented belt-drive system eliminates the lubrication maintenance required by conventional gear-drive beacons (U.S. Pat. 5,339,224)
- Patented liquid-filled lamp connector, eliminating the slip rings and brushes found on conventional beacons (U.S. Pat. 5,816,678)
- Two 40,000 lumen, 400 watt pulse-start metal-halide lamps
- Pulse-start lamps are fully bright in 3-5 minutes
- 15,000 hour typical lamp life (2-3 years)
- One clear lens, one aviation green lens
- No maintenance except lamp replacement
- All moving parts are permanently lubricated
- Thermally-protected motor eliminates burnouts
- Lamps preset 5° above horizontal, adjustable
- 12 RPM rotation, 24 flashes/minute
- Weatherproof steel cabinet, powder coated international orange
- Class I temperature range: -30 to +55 °C (-22 to +131 °F)
- Class II temperature range: -55 to +55 °C (-67 to +131 °F)
- Tested to wind velocities of 100 mph
- Optional photocell and/or tell-tale relay
- Mountable on a Hali-Brite Tipdown Pole
- Power Consumption: 965W Class I, 1365W Class II
- Military version available
- Manufactured in the USA



Beacon Tipdown Pole

## Ordering Information

Part Number	Description
L-802A6116	120 VAC, 60 Hz, Class I
L-802A6125	220-240 VAC, 50 Hz, Class I
L-802A6126	220-240 VAC, 60 Hz, Class I
L-802A6216	120 VAC, 60 Hz, Class II
L-802A6225	220-240 VAC, 50 Hz, Class II
L-802A6226	220-240 VAC, 60 Hz, Class II

NOTE: 220-240 VAC must be single wire with neutral

## Options

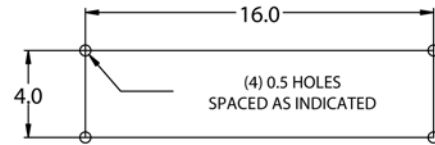
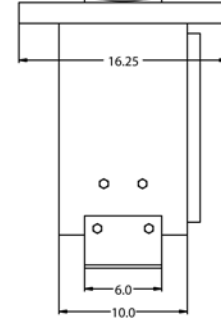
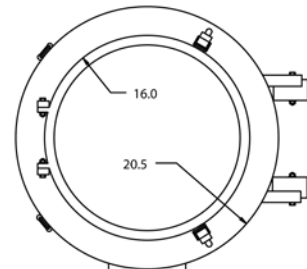
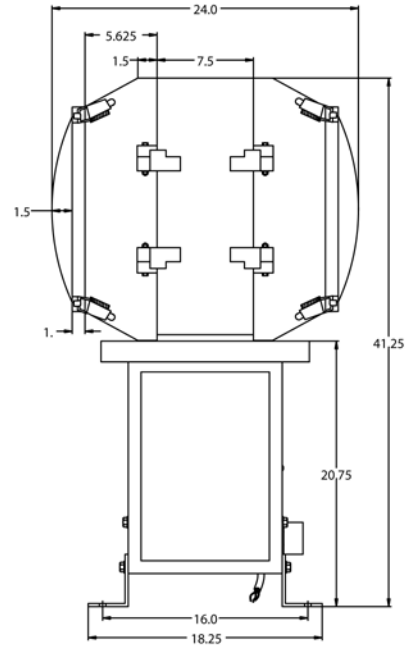
Part Number	Description
L-801/802 T/T HBM 120	Tell-tale Relay, 120 VAC
L-801/802 T/T HBM 240	Tell-tale Relay, 220-240 VAC
4200-0000	Tower Mounting Kit

## Replacement Parts

Part Number	Description
0200-0021	Ballast, 60 Hz
0200-0022	Ballast, 50 Hz
0600-0003	Belt
2300-0003	Lamp Fuse, 10 amp
2300-0002	Motor Fuse, 1/2 amp
3400-0400/H75/PS	Lamp, 400 watt
2800-0035	Lens, Clear
2800-0044	Lens, Green
0100-3825	Lens Clip

## Shipping Information

Unpacked Weight: 150 pounds  
 USA Shipping Weight: 250 pounds  
 USA Shipping Volume: 48"x42"x32"  
 International Shipping  
 Weight: 200 pounds  
 International Shipping  
 Volume: 48"x40"x32"



Mounting Bolt Pattern



# L-801H and L-802H HBM 150/3 Heliport Rotating Beacons

**Compliant with Standards:**

FAA: L-801H AC 150/5345-12 (Current Edition)

FAA: L-802H AC 150/5345-12 (Current Edition)

ICAO: Annex 14, para 5.3.3

***These Hali-Brite beacons are designed for night operation as identification and location markers for heliports***

## Highlights

- Patented belt-drive system eliminates the lubrication maintenance required by conventional gear-drive beacons (U.S. Pat. 5,339,224)
- Patented liquid-filled lamp connector, eliminating the slip rings and brushes found on conventional beacons (U.S. Pat. 5,816,678)
- Three 14,000 lumen, 150 watt metal-halide lamps
- 12,000 hour typical lamp life (3 years)
- One clear, one aviation green, and one yellow lens
- Available in Hospital Heliport version (not FAA certifiable)
- No maintenance except lamp replacement
- All moving parts are permanently lubricated
- Impedance-protected motor eliminates burnouts
- Lamps preset 5° above horizontal, adjustable
- 12 RPM rotation, 36 flashes/minute
- Weatherproof steel cabinet, powder coated international orange
- Optional stainless steel cabinet & bearings for highly corrosive environments
- Class I temperature range: -30 to +55 °C (-22 to +131 °F)
- Class II temperature range: -55 to +55 °C (-67 to +131 °F)
- Tested to wind velocities of 100 mph
- Optional photocell and/or tell-tale relay
- Mountable on a Hali-Brite Tipdown Pole
- Military version available
- Power Consumption: 595W Class I, 995W Class II
- Manufactured in the USA



Beacon Tipdown Pole



## Ordering Information

<b>Part Number</b>	<b>Description</b>
L-801H7116	120 VAC, 60 Hz, Class I
L-801H7116M	120 VAC, 60 Hz, Class I, Military Heliport
L-801H7125	220-240 VAC, 50 Hz, Class I
L-801H7125H	220-240 VAC, 50 Hz, Class I, Hospital Heliport
L-801H7126	220-240 VAC, 60 Hz, Class I
L-801H7126H	220-240 VAC, 60 Hz, Class I, Hospital Heliport
L-801H7216	120 VAC, 60 Hz, Class II
L-801H7216H	120 VAC, 60 Hz, Class II, Hospital Heliport
L-801H7225	220-240 VAC, 50 Hz, Class II
L-801H7225H	220-240 VAC, 50 Hz, Class II, Hospital Heliport
L-801H7226	220-240 VAC, 60 Hz, Class II
L-801H7226H	220-240 VAC, 60 Hz, Class II, Hospital Heliport

NOTE: 220-240 VAC products are single phase only

## Options

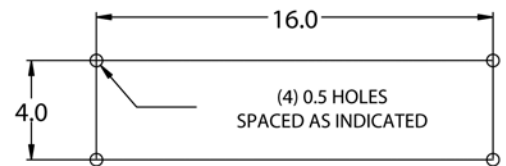
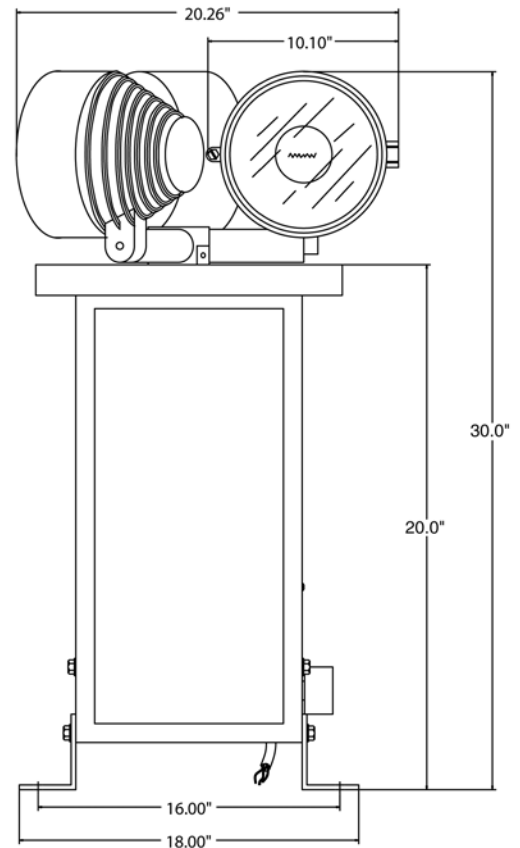
<b>Part Number</b>	<b>Description</b>
L-801/802 T/T HBM 120	Tell-tale Relay, 120 VAC
L-801/802 T/T HBM 240	Tell-tale Relay, 220-240 VAC
4200-0000	Tower Mounting Kit
L801/L802 HBM SS	Stainless Steel Option

## Replacement Parts

<b>Part Number</b>	<b>Description</b>
0200-0007	Ballast, 120/240 VAC, 60Hz
0600-0003	Belt
2300-0002	Motor Fuse, 1/2 amp
2300-0012	Lamp Fuse, 8 amp
3400-0125B	Lamp, 150 watt
2800-0006	Lens, Clear
2800-0043	Lens, Green
2800-0025	Lens, Amber
2800-0010	Lens, Red
2800-0026	Lens, Split Beam
1500-0011	Lens Clip

## Shipping Information

Unpacked Weight: 96 pounds  
 USA Shipping Weight: 124 pounds  
 USA Shipping Volume: 48"x28"x25"  
 International Shipping  
 Weight: 124 pounds  
 International Shipping  
 Volume: 48"x28"x25"



Mounting Bolt Pattern