



L-806 Wind Cone

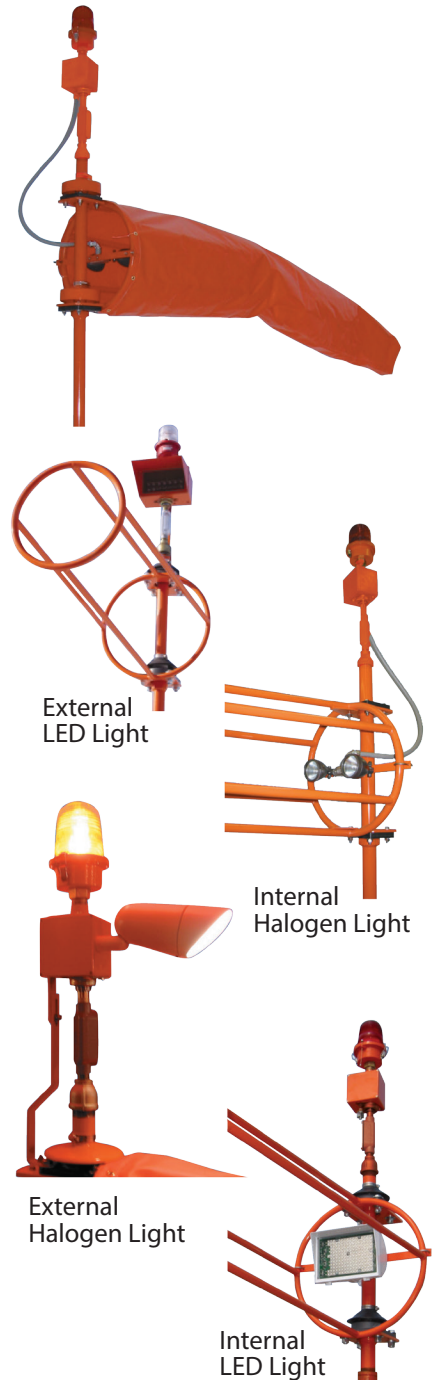
Compliant with Standards:

FAA: L-806 AC 150/5345-27 (Current Edition) ETL Certified

These Hali-Brite wind cones provide visual indication of wind direction and velocity at a location on an airfield. They are used on smaller airfields, heliports and as supplemental wind indicators near runway touchdown areas on large airfields

Highlights

- Available externally lighted, internally lighted, or unlighted
- LED or halogen lamps
- The LED models feature:
 - 50,000 to 100,000 hour lamp life, virtually maintenance free
 - Multiple lamp circuits, for improved reliability
 - 80-90% less power consumption than halogen lamps
 - A long-life LED obstruction light
- Integral power adapter on externally-lighted, series-circuit LED models
- Incandescent L-810 obstruction light included on halogen lighted models
- Size 1 (18" diameter x 8' long) wind sock
- 1.9" diameter steel pole, with frangible coupling at base
- One piece welded aluminum basket with pre-installed bearings
- Raincaps protect the bearings from weather
- May be mounted directly to an L-867 light base, 2 inch NPT base plate (sold separately)
- The nylon sock is treated for rot, mildew, and water repellency
- Powder coat painted international orange



External LED Light

Internal Halogen Light

External Halogen Light

Internal LED Light

Selection Chart

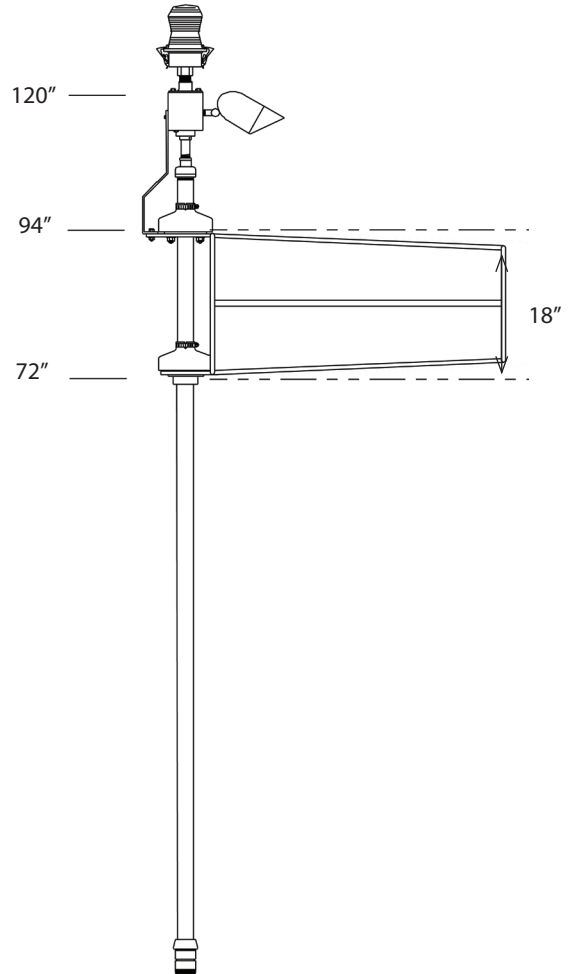
Catalog Number	See Notes	FAA Size	FAA Style	Power Source	Lamp Type	Fixture Watts	Fixture VA	Weight (lbs)	Replacement Lamp
L-806-S1-EX-120-ON-5		1	I-A External	108-132 VAC	LED	14	15	58	9200-0032
L-806-S1-EX-120-ON-N		1	I-A External	108-132 VAC	Halogen	191	191	55	3400-0122
L-806-S1-EX-66A-ON-5	3	1	I-A External	2.8-6.6 AMP	LED	26	28	57	9200-0034
L-806-S1-EX-230-ON-5	2	1	I-A External	207-253 VAC	LED	14	15	58	9200-0044
L-806-S1-IN-120-ON-5		1	I-B Internal	108-132 VAC	LED	19	32	59	9200-0038
L-806-S1-IN-120-ON-N	2	1	I-B Internal	108-132 VAC	Halogen	316	316	57	3400-0100Regent
L-806-S1-IN-66A-ON-5	3	1	I-B Internal	2.8-6.6 AMP	LED	37	41	57	9200-0039
L-806-S1-IN-12-ON-5	2	1	I-B Internal	11.5-13 VDC	LED	6	6	57	9200-0041
L-806-S1-EX-12-ON-5		1	I-A External	11.5-13 VDC	LED	6	6	57	9200-0033
L-806-S1-UN-NON-ON-N		1	II Unlighted	None	None	0	0	45	None

Notes:

1. Power consumption specifications include the L-810 obstruction light
2. This FAA Style can not be ETL certified
3. Requires 300 watt L830-10 transformer, sold separately. Add 17 VA for transformer loss.

Spare Components

Part Number	Description
7400-0000-1	Wind Sock, 18" x 8', orange
1800-0025	Frangible Coupling
3400-116TS120	Lamp, 120V Incandescent Obstruction Light





L-807 Wind Cone

Compliant with Standards:

FAA: L-807 AC 150/5345-27 (Current Edition) ETL Certified

ICAO: Annex 14, Vol. 1, para. 5.1.1 (Size 2 only)

This Hali-Brite primary wind cone provides visual indication of wind direction and velocity at a location on an airfield. FAA Size 2 wind cones are used at the central location on the airfield. FAA Size 1 wind cones are used on smaller airfields and heliports

Highlights

- Available externally lighted, internally lighted, or unlighted
- LED or halogen lamps
- All LED models feature:
 - 50,000 to 100,000 hour lamp life, virtually maintenance free
 - Multiple lamp circuits, for improved reliability
 - 80-90% less power consumption than halogen lamps
 - A long-life LED obstruction light
- Integral power-adaptor on externally-lighted, series-circuit LED models
- An incandescent L-810 obstruction light is included on halogen lighted models
- Size 1 (18" x 8' long) or Size 2 (36"x12' long) wind socks
- The pole is center-hinged, with 4" diameter steel on the bottom, and 3" diameter steel on the top
- A center-mounted braked winch allows 1-person maintenance
- The four anchor bolts are a one-piece welded assembly, ready to drop in the ground
- The aluminum basket is welded, one piece, with pre-installed bearings
- Raincaps protect the bearings from weather
- The nylon sock is treated for rot, mildew and water repellency
- Powder coat painted international orange



Selection Chart

Catalog Number	See Notes	FAA Size	FAA Style	Power Source	Lamp Type	Fixture Watts	Fixture VA	Weight (lbs)	Replacement Lamp
L-807-S1-UN-NON-ON-N		1	II Unlighted	None	None	0	0	187	None
L-807-S1-EX-120-ON-5		1	I-A External	108-132 VAC	LED	14	15	198	9200-0032
L-807-S1-EX-230-ON-5	2	1	I-A External	207-253 VAC	LED	14	15	198	9200-0044
L-807-S1-EX-66A-ON-5	4,5	1	I-A External	2.8-6.6 AMP	LED	26	28	197	9200-0034
L-807-S1-IN-120-ON-5		1	I-B Internal	108-132 VAC	LED	19	32	200	9200-0038
L-807-S1-EX-120-ON-N		1	I-A External	108-132 VAC	Halogen	191	191	196	3400-0122
L-807-S1-IN-120-ON-N	2	1	I-B Internal	108-132 VAC	Halogen	316	316	198	9400-0100Regent
L-807-S1-EX-12-ON-5		1	I-A External	11.5-13 VDC	LED	6	6	197	9200-0033
L-807-S1-IN-12-ON-5	2	1	I-B Internal	11.5-13 VDC	LED	6	6	197	9200-0041
L-807-S1-IN-66A-ON-5	4,5	1	I-B Internal	2.8-6.6 AMP	LED	37	41	198	9200-0039
L-807-S2-UN-NON-ON-N		2	II Unlighted	None	None	0	0	199	None
L-807-S2-IN-120-ON-5		2	I-B Internal	108-132 VAC	LED	32	60	212	9200-0040
L-807-S2-EX-120-ON-5		2	I-A External	108-132 VAC	LED	21	22	210	9200-0035
L-807-S2-EX-230-ON-5	2	2	I-A External	207-253 VAC	LED	21	22	210	9200-0043
L-807-S2-EX-66A-ON-5	4,5	2	I-A External	2.8-6.6 AMP	LED	26	28	209	9200-0037
L-807-S2-EX-120-ON-N		2	I-A External	108-132 VAC	Halogen	191	191	208	3400-0122
L-807-S2-IN-120-ON-N		2	I-B Internal	108-132 VAC	Halogen	516	516	210	3400-0100Regent
L-807-S2-EX-12-ON-5		2	I-A External	11.5-13 VDC	LED	10	10	210	9200-0036
L-807-S2-IN-12-ON-5	2	2	I-B Internal	11.5-13 VDC	LED	10	10	210	9200-0042
L-807-S2-IN-66A-ON-5	3,5	2	I-B Internal	2.8-6.6 AMP	LED	57	53	210	9200-0031
L-807-S2-EX-12-ON-5		2	I-A External	11.5-13 VDC	LED	10	10	210	9200-0036
L-807-S2-IN-12-ON-5	2	2	I-B Internal	11.5-13 VDC	LED	10	10	210	9200-0042

Notes:

1. Power consumption specifications include the L-810 obstruction light
2. This FAA Style can not be ETL certified
3. Requires 200 watt L-830 transformer, sold separately
4. Requires 100 watt L-830 transformer, sold separately
5. L-830 VA not included, is 16 VA for all models

Spare Components

Part Number	Description
7400-0000-1	Size 1 Windsock, 18" x 8', orange
7400-0002	Size 2 Windsock, 36" x 12', orange

