

# Reflective Marker



**Compliances (Current Editions)**  
 FAA: AC 150/5345-39, ETL Certified



## Application

Retroreflective airport markers are used to mark airport taxiways, runway edges, ends and thresholds

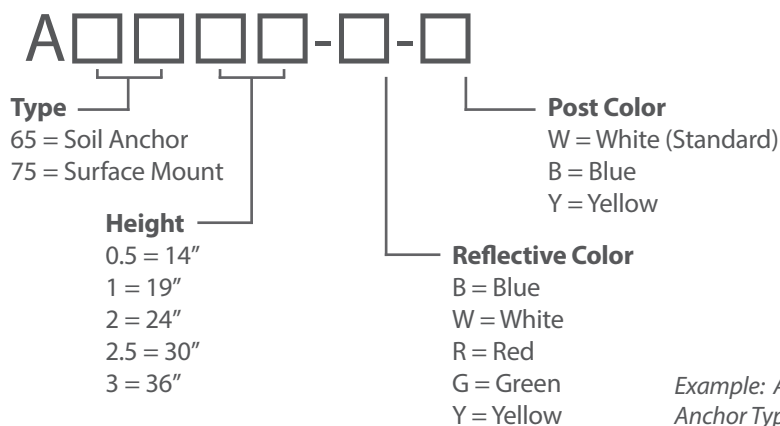
## Key Features

- Self-erecting when struck by a vehicle
- Resistant to ultraviolet light, ozone, and hydrocarbons
- Polypropylene post remains dimensionally stable from -4° F (brittleness point) to 329° F (melting point)
- Ground driven posts are capable of being mowed over by a standard DOT flail or sickle mower (special attachment required)
- Manufactured in the USA by Flexstake

## Specifications

- Height: 14", 19", 24", 30", 36"
- Anchor: Soil Anchor
- Weight: 2.5 lbs (approximate)
- Post colors: White, blue or yellow (custom colors available)
- Reflective colors: 14" wrap for top of post available in blue, white, red or green reflective sheeting (custom colors available)

## General Catalog Numbers



*Example: A650.5-B-B is an L-853 Soil Anchor Type 14" OAH Blue with Blue Post*