

# I-Lux Guidance Sign LED



All FAA Sizes, FAA Types  
and FAA Styles are available in LED



## Compliances (Current Editions)

FAA: AC 150/5345-44; Engineering Brief No. 67, ETL Certified



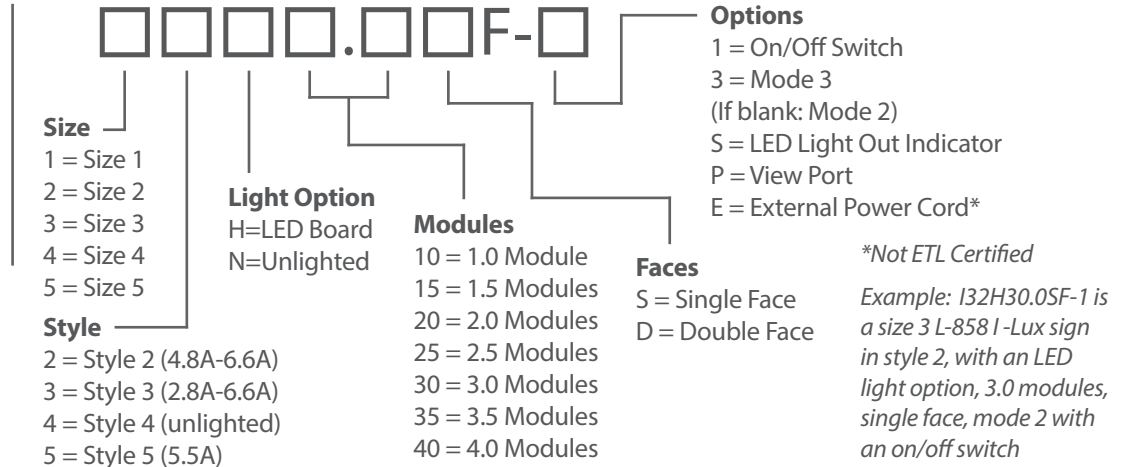
## Key Features

- The average LED life is 100,000 hours high intensity / 180,000 hours under typical operating conditions.
- Easily replace traditional L-858 signs
- Solidly & seamlessly integrate off-the-shelf parts and custom fabrication for strength & flexibility while minimizing operating costs
- Platform for cabinet machined from solid, heavy-gauge aluminum construction
- Free of gaps and joints that weaken modular signs and allow penetration of wind, rain, dirt and snow
- Inherently stronger than modular signs because it doesn't rely on the strength of hardware used to piece modular signs together
- I-Lux is as short as possible because it is made per FAA lettering specifications & not artificially lengthened over seams and gaps
- AGM's I-Lux is the only airfield sign available in half module sizing
- Quick and economical installation, with smaller excavation, less concrete, and fewer legs to bolt to the pad
- Smaller obstruction in the field than modular signs, presenting less inertial load on aircrafts should a collision occur
- Seamless panels display messages without distortion
- Highly impact resistant, up to 30 times more than other brands
- No tools required for re-lamping
- Base model brightness controls use technology that has been proven for years in the field



# Specifications

## General Catalog Numbers



### I-Lux Size 4 (LED Board Light Option)

Style	L-830 Transformer	VA Load	Power Factor
2	65W	49	.94
3	65W	44	.94
5	65W	44	.94

### Replacement Parts (LED Light Option)

Part Number	Description
C7-LVCV2	Low voltage power control module
I7-LEDV2	LED board with optics
C7-DRVR	LED driver module
C7-BRG	Bridge rectifier

### Transformer Requirements: LED Board

Size	Style	Modules	L-830 Transformer*	VA Load**	Power Factor**
1	2	1.0	65W	39	.93
1	2	1.5 & 2.0	65W	44	.93
1	2	2.5 & 3.0	65W	49	.94
1	2	3.5 & 4.0	65W	54	.94
2	2	1.0	65W	44	.93
2	2	1.5 & 2.0	65W	54	.94
2	2	2.5 & 3.0	65W	65	.94
2	2	3.5 & 4.0	100W	77	.93
3	2	1.0	65W	49	.94
3	2	1.5 & 2.0	65W	65	.94
3	2	2.5 & 3.0	100W	83	.93
3	2	3.5 & 4.0	100W	95	.93
5	2	1.0	65W	49	.94

continued on next page



# Specifications

## Transformer Requirements: LED Board

Size	Style	Modules	L-830 Transformer*	VA Load**	Power Factor**
1	3	1.0	65W	39	.93
1	3	1.5 & 2.0	65W	44	.93
1	3	2.5 & 3.0	65W	49	.94
1	3	3.5 & 4.0	65W	54	.94
2	3	1.0	65W	44	.93
2	3	1.5 & 2.0	65W	54	.94
2	3	2.5 & 3.0	100W	69	.93
2	3	3.5 & 4.0	200W	77	.92
3	3	1.0	65W	49	.94
3	3	1.5 & 2.0	100W	69	.93
3	3	2.5 & 3.0	200W	83	.92
3	3	3.5 & 4.0	200W	95	.92
5	3	1.0	65W	49	.94
1	5	1.0	65W	32	.94
1	5	1.5 & 2.0	65W	34	.94
1	5	2.5 & 3.0	65W	41	.94
1	5	3.5 & 4.0	65W	50	.93
2	5	1.0	65W	34	.94
2	5	1.5 & 2.0	65W	50	.94
2	5	2.5 & 3.0	65W	58	.93
2	5	3.5 & 4.0	100W	69	.93
3	5	1.0	65W	41	.94
3	5	1.5 & 2.0	65W	58	.93
3	5	2.5 & 3.0	100W	73	.93
3	5	3.5 & 4.0	100W	88	.92
5	5	1.0	65W	41	.94

\*Minimum

\*\*When using specified L-830